

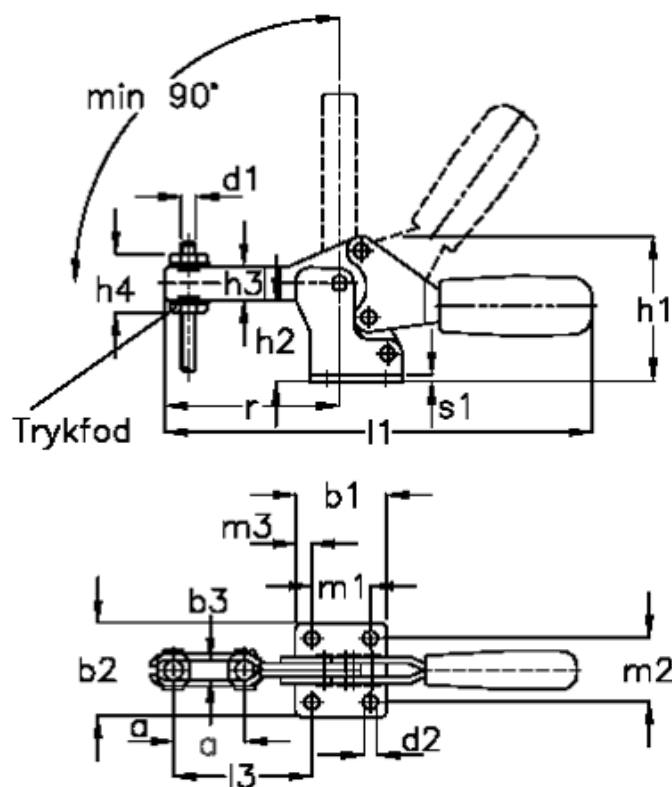
# Data Sheet



Article number: 2013511061

Description: E+G Klee horizontal clamp  
GN 820-230-M-NI, stainless steel

## Measures



a approx. = 37	h3 = 18	m3 = 9.00
b1 = 44	h4 = 35	r = 72.0
b2 = 42.0	Holding force N = 1600	s1 = 3.0
b3 = 8.5	l1 = 196	Size = 230
d1 = M 8	l2 = 110	
d2 = 6.5	l3 = 63.5	
h1 = 62	m1 = 26.0	
h2 = 36.5	m2 = 28.5	